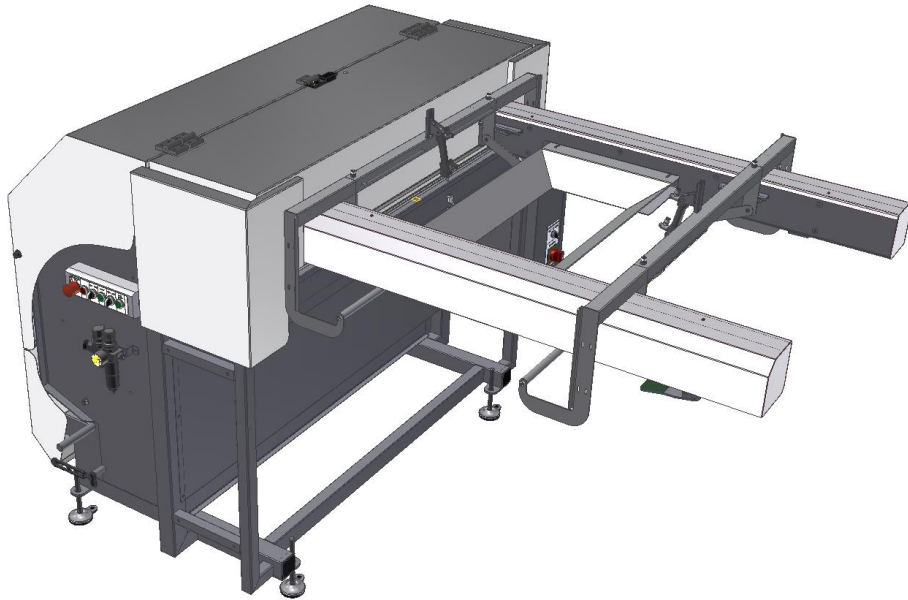


FP Plastic feeder

Machine designed to produce plastic sheets from a standardized film roller.



FP Plastic Feeder

JT PL 145-01 is specially designed to make maintenance and change of plastic rolls easy. A window is strategically placed on the hinged hatch makes it easy to monitor the plastic roll, the plastic feeding and the cutting process.

The hatch is equipped with gas cylinders; simply fold it up and do the routine carefully explained in the well documented user manuals.

The machine has proven its ability out in the market and the feedback is overwhelming.

A new long-lasting ceramic knife system combined with easy access gives your personnel an easy task in operating this machine.

The plastic feeder includes a control system for the bottom conveyor. This makes the system functioning all together.

The next step in reducing manning on your packing line

The plastic feeder is preferably delivered with the plastic retainer. The retainer kit itself is a very good investment for reduction of manning on the packing line. Already it's proven that integrating this into the line makes it possible to use only one operator for manually folding the plastic sheets. Its a very low investment for saving one operator.

The final step in reducing manning on your packing line

The Plastic Retainer concept is developed to make possible the final step in automation of the line: Automatically folding of the plastic sheets for certain species.