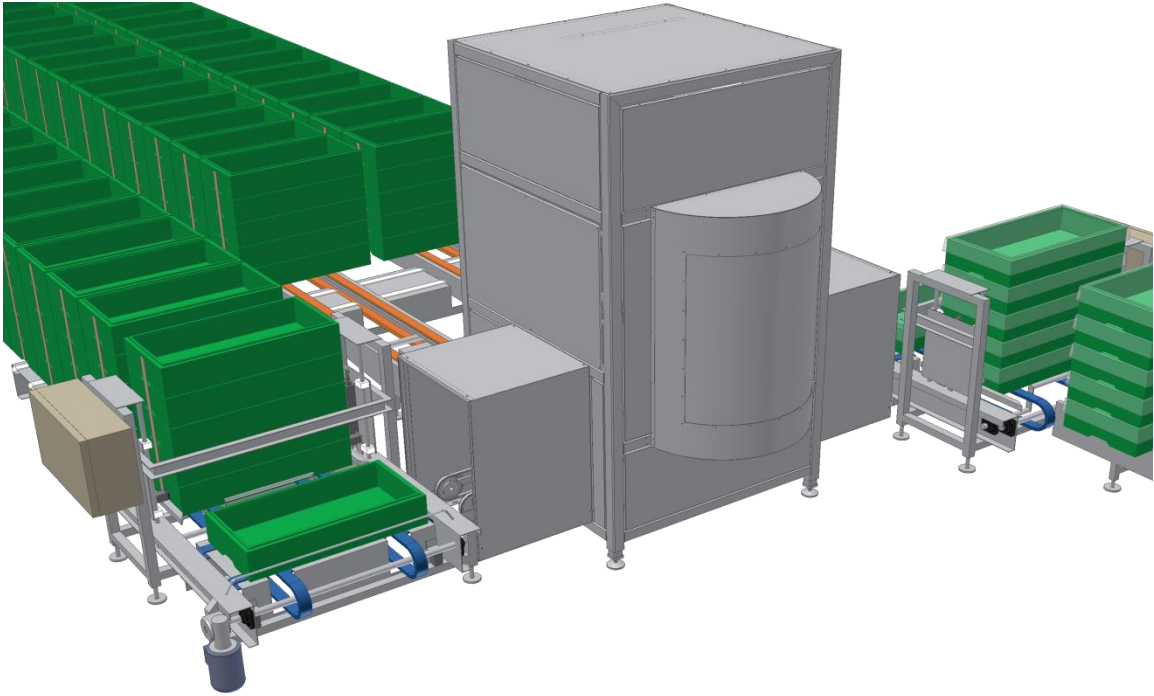


Stacking / destacking – Bag in box

Fully Automatic bag in box machine.



FP DeStacker for polystyrene (EPS) boxes with tape cutter

The machine receives stacks of 5 EPS boxes. The boxes are separated by lifting box 2 from the stack at the same time as the tape will be cut. The box in the bottom of the stock will be transported to the Easy Plast for placing the plastic bags automatically in the box. Capacity is 8 boxes pr minute.

FP Easy Plast (automatic bag in the box machine)

The Easy Plast is able to place bags automatically in crates or cardboard cases. The Easy Plast is a “Stand-alone” machine and it has modest dimensions. Surface of the frame is 1,65 x 2,4 meters. The magazine for bags can be filled by the operator in an easy way. No stop of your process is required. For more info, contact First Process.

FP Stacker for EPS boxes with transport systems

The machine receives one by one box including bags and will be stacked in stocks of 5 boxes. The machine lifts the box from the conveyor and puts it back on the box below. When you have 5 boxes in one stack it will be transported to the buffer zone, elevator or directly to the packing line.