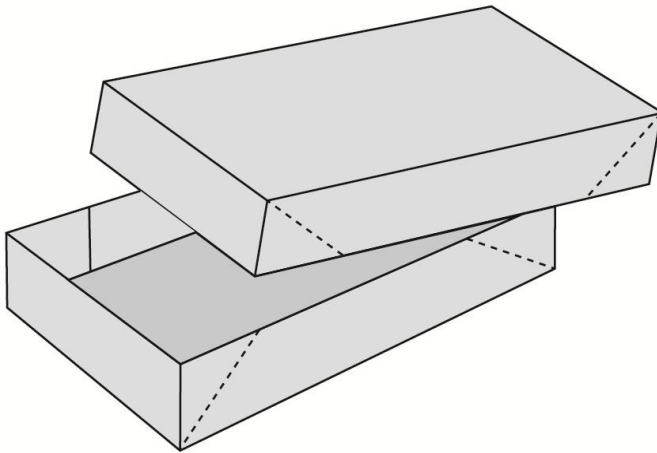




**PETERSON**  
packaging

## 20 kg Herring/mackerel boxes



**Inner size: L x B x H**

**Lid:** 592 x 392 x 114 mm

**Base:** 582 x 382 x 114 mm

Tolerance: L x B x H  $\pm$  2 mm

### Specification:

**Characteristics:** Solid board is specially designed for conditions where the packaging is exposed for great changes in humidity, bumps and beating, or condition where a low thermal insulation property is desired.

Lid: **1,0 mm White/Brown**

Property	Units	Value	Spec.
Thickness	mm	1,0	$\pm$ 5%
Grammage	g/m <sup>2</sup>	720	$\pm$ 5%
ECT, MD	kN/m	3,9	$\geq$ 3,5
ECT, CD	kN/m	2,3	$\geq$ 1,9
Burst strength	kPa	1500	$\pm$ 5%

Base: **1,25 mm Brown/Brown**

Property	Units	Value	Spec.
Thickness	mm	1,25	$\pm$ 5%
Grammage	g/m <sup>2</sup>	860	$\pm$ 5%
ECT, MD	kN/m	4,7	$\geq$ 4,5
ECT, CD	kN/m	3,0	$\geq$ 2,8
Burst strength	kPa	2000	$\pm$ 5%

The test is carried out in a standardized atmosphere, 23°C and 50% RH

## Claim to boxes

### Lid and base

- Cardboard humidity has to be approximately 10%.
- 4 point glued lid and base must have right angles.
- Excess glue that might cause the boxes stick to each other must not occur.
- The height of the folded boxes must be the same, and all four corners must have the same height.
- The straps that bundle up the boxes must not cut or deform the boxes.
- The bundle must not curve more than 20 mm.
- The pallets must occur with equal height at all corners.
- Chipboard (22 mm) to be used as pallet lid.
- The pallets are wrapped in plastic and strapped to the pallet.

## Information about handling, transport and recommendation to storage environment:

### Handling and transport:

- To be protected from rain/damp and dirt.
- Transport with care by platform truck or manual lift truck.
- Use wooden pallet.

### Storage environment

- To be stored in ventilated room
- Temperatur 0 - 30°C. Relative humidity 30 - 70%
- Boxes for machine erection ought to be stored in machine hall at least two days before usage.
- Keep the different product lot apart, FIFO (First in – first out)