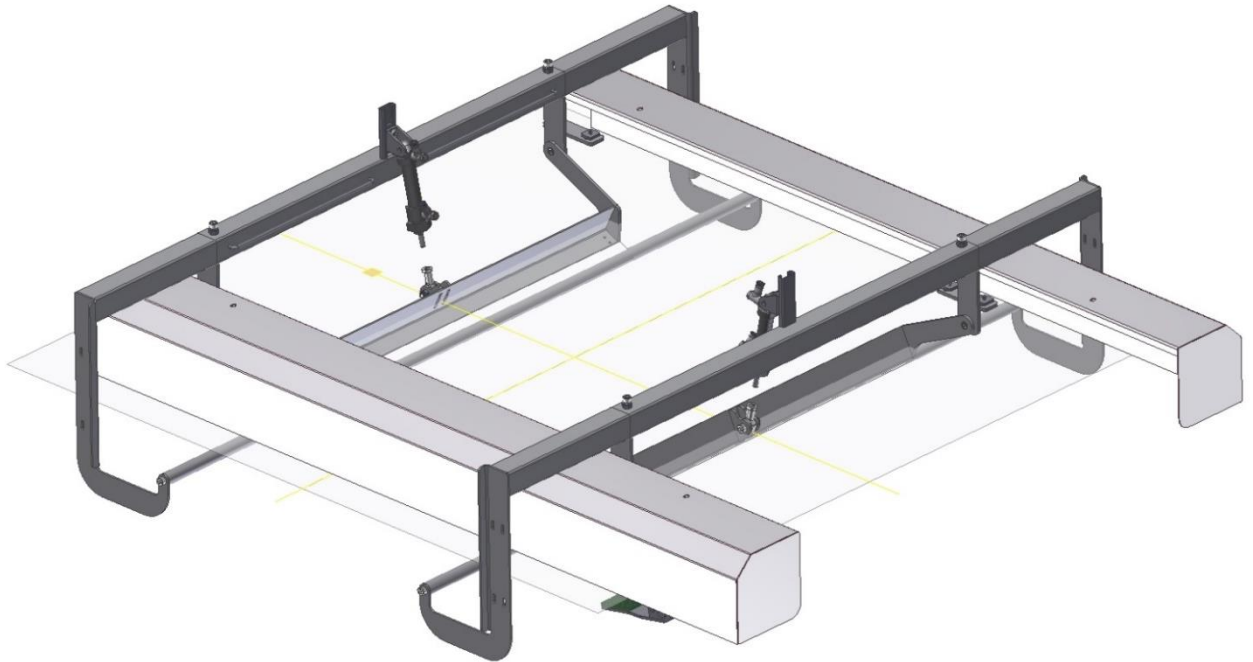


# FP Plastic retainer

Designed to minimize the need of manpower and ensure the plastic sheet evenly spread inside the bottom of the box



## FP Plastic Retainer

The plastic retainer kit itself is a very good investment for reduction of manning on the packing line. Already it's proven that integrating this into the line makes it possible to use only one operator for manually folding the plastic sheets. Its a very low investment for saving one operator. The system has a separate control unit to the existing plastic feeder, and therefore 100% synchronized to the Speedbatcher / plastic feeder. The system is automatic driven by pneumatic cylinders.